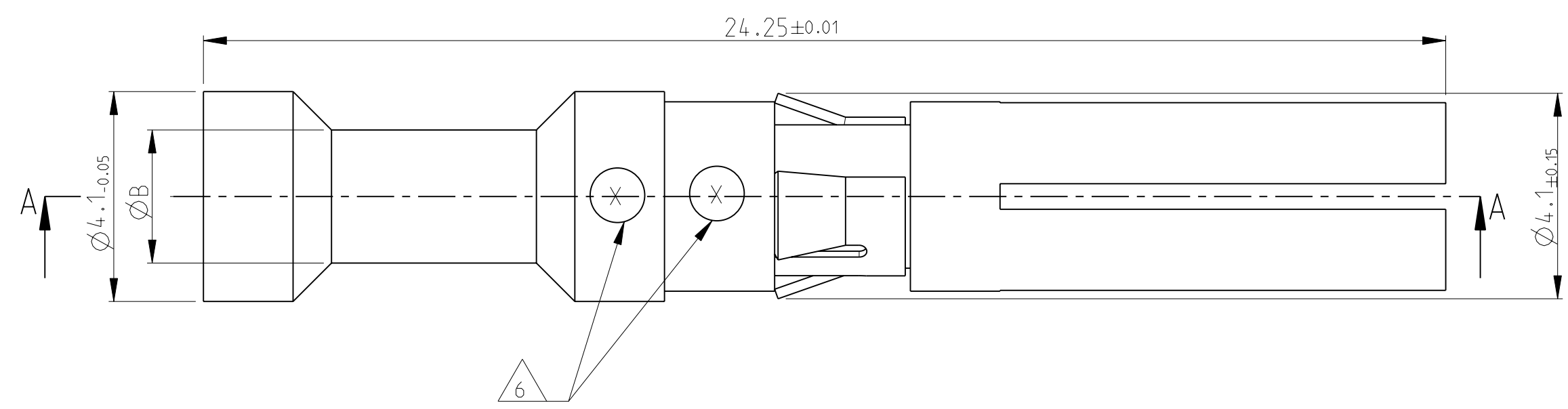


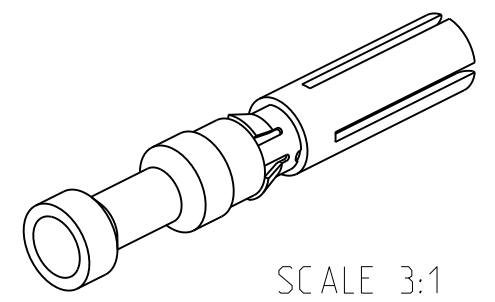
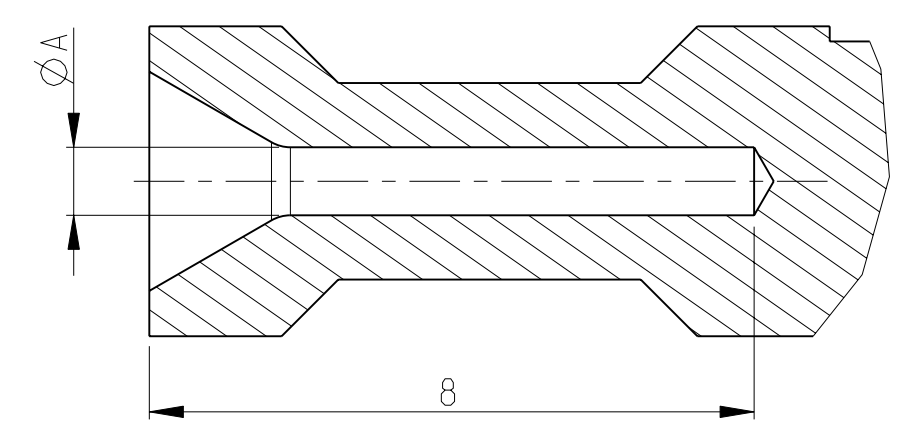
THIS DRAWING IS UNPUBLISHED. RELEASED FOR PUBLICATION  
 © COPYRIGHT - ALL RIGHTS RESERVED.

| LOC |     | DIST        |                           | REVISIONS |           |      |     |
|-----|-----|-------------|---------------------------|-----------|-----------|------|-----|
| P   | LTR | DESCRIPTION |                           | DATE      | DWN       | APVD |     |
| A1  | -   | G2          | REVISED PER ECO-11-005150 |           | 31MAR2011 | RK   | HMR |



- NOTES
- 1 MATERIAL SEE TABLE
  - 2 SURFACE SEE TABLE
  - 3 ASSEMBLY WEIGHT SEE TABLE
  - 4 PACKAGING: 50 PIECES IN POLYBAG
  - 5 PACKAGING: 500 PIECES IN POLYBAG & CARTON
  - 6 CROSS-SECTION MARKING
  - 7 NO VENTILATION HOLE REQUIRED AT CROSS SECTION >4.0mm<sup>2</sup>
  - 8 SUITABLE PIN CONTACT: PN 1105300
  - 9 SUITABLE INSERTS: SERIES HVT
  - 10 SUITABLE CRIMP TOOL: PN 1-1105851-8
  - 11 SUITABLE INSERTION TOOL: PN 0-1102855-6
  - 12 SUITABLE EXTRACTION TOOL: PN 0-1102855-3
  - 13 STANDARDS: DIN EN 61984, DIN EN 60664-1

SECTION A-A



| ASSEMBLY WEIGHT IN (Kg) <sup>3</sup>    |         |         |         |         |         |         |         |         |         |         |         |         |         |         |  |
|---|---------|---------|---------|---------|---------|---------|---------|---------|---------|---------|---------|---------|---------|---------|--|
| 0.00142                                 | 0.00144 | 0.00148 | 0.00145 | 0.00149 | 0.00150 | 0.00144 | 0.00148 | 0.00133 | 0.00142 | 0.00144 | 0.00148 | 0.00145 | 0.00149 | 0.00150 |  |
| 1                                       | 1       | 1       | 1       | 1       | 1       | 1       | 1       | 1       | 1       | 1       | 1       | 1       | 1       | 1       |  |
| Socket Contact 4.0 mm <sup>2</sup>      |         |         |         |         |         |         |         |         |         |         |         |         |         |         |  |
| Socket Contact 2.5 mm <sup>2</sup>      |         |         |         |         |         |         |         |         |         |         |         |         |         |         |  |
| Socket Contact 1.5 mm <sup>2</sup>      |         |         |         |         |         |         |         |         |         |         |         |         |         |         |  |
| Socket Contact 0.75-1.0 mm <sup>2</sup> |         |         |         |         |         |         |         |         |         |         |         |         |         |         |  |
| Socket Contact 0.5 mm <sup>2</sup>      |         |         |         |         |         |         |         |         |         |         |         |         |         |         |  |
| Socket Contact 0.13-0.4 mm <sup>2</sup> |         |         |         |         |         |         |         |         |         |         |         |         |         |         |  |
| Socket Contact 14 AWG                   |         |         |         |         |         |         |         |         |         |         |         |         |         |         |  |
| Socket Contact 12 AWG                   |         |         |         |         |         |         |         |         |         |         |         |         |         |         |  |
| Socket Contact 10 AWG                   |         |         |         |         |         |         |         |         |         |         |         |         |         |         |  |
| Socket Contact 4.0 mm <sup>2</sup>      |         |         |         |         |         |         |         |         |         |         |         |         |         |         |  |
| Socket Contact 2.5 mm <sup>2</sup>      |         |         |         |         |         |         |         |         |         |         |         |         |         |         |  |
| Socket Contact 1.5 mm <sup>2</sup>      |         |         |         |         |         |         |         |         |         |         |         |         |         |         |  |
| Socket Contact 0.75-1.0 mm <sup>2</sup> |         |         |         |         |         |         |         |         |         |         |         |         |         |         |  |
| Socket Contact 0.5 mm <sup>2</sup>      |         |         |         |         |         |         |         |         |         |         |         |         |         |         |  |
| Socket Contact 0.13-0.4 mm <sup>2</sup> |         |         |         |         |         |         |         |         |         |         |         |         |         |         |  |
| CuZn39Pb3 F50                           |         |         |         |         |         |         |         |         |         |         |         |         |         |         |  |
| GOLD PLATING                            |         |         |         |         |         |         |         |         |         |         |         |         |         |         |  |
| SILVER PLATING                          |         |         |         |         |         |         |         |         |         |         |         |         |         |         |  |
| ITEM NO                                 |         |         |         |         |         |         |         |         |         |         |         |         |         |         |  |

| DESCRIPTION                          | MATERIAL | SURFACE | ØA | ØB | CROSS SECTION MARKING | ITEM NO |
|--------------------------------------|----------|---------|----|----|-----------------------|---------|
| HVT-C-Bu-Au-4.0 mm <sup>2</sup>      |          |         |    |    |                       |         |
| HVT-C-Bu-Au-2.5 mm <sup>2</sup>      |          |         |    |    |                       |         |
| HVT-C-Bu-Au-1.5 mm <sup>2</sup>      |          |         |    |    |                       |         |
| HVT-C-Bu-Au-0.75-1.0 mm <sup>2</sup> |          |         |    |    |                       |         |
| HVT-C-Bu-Au-0.5 mm <sup>2</sup>      |          |         |    |    |                       |         |
| HVT-C-Bu-Au-0.13-0.4 mm <sup>2</sup> |          |         |    |    |                       |         |
| HVT-C-Bu-Ag-AWG-14                   |          |         |    |    |                       |         |
| HVT-C-Bu-Ag-AWG-12                   |          |         |    |    |                       |         |
| HVT-C-Bu-Ag-AWG-10                   |          |         |    |    |                       |         |
| HVT-C-Bu-Ag-4.0 mm <sup>2</sup>      |          |         |    |    |                       |         |
| HVT-C-Bu-Ag-2.5 mm <sup>2</sup>      |          |         |    |    |                       |         |
| HVT-C-Bu-Ag-1.5 mm <sup>2</sup>      |          |         |    |    |                       |         |
| HVT-C-Bu-Ag-0.75-1.0 mm <sup>2</sup> |          |         |    |    |                       |         |
| HVT-C-Bu-Ag-0.5 mm <sup>2</sup>      |          |         |    |    |                       |         |
| HVT-C-Bu-Ag-0.13-0.4 mm <sup>2</sup> |          |         |    |    |                       |         |

THIS DRAWING IS A CONTROLLED DOCUMENT.

DWN: G.WROBLEW.SKI 04 SEP.2007  
 CHK: I.SCHNURPFEL 04 SEP.2007  
 APVD: I.SCHNURPFEL 04 SEP.2007

**STE** TE Connectivity

SOCKET CONTACT SERIES HVT

SIZE: A2 CAGE CODE: 00779 DRAWING NO: C-1105301 RESTRICTED TO: -

CUSTOMER DRAWING SCALE: 10:1 SHEET: 1 OF 1 REV: G2